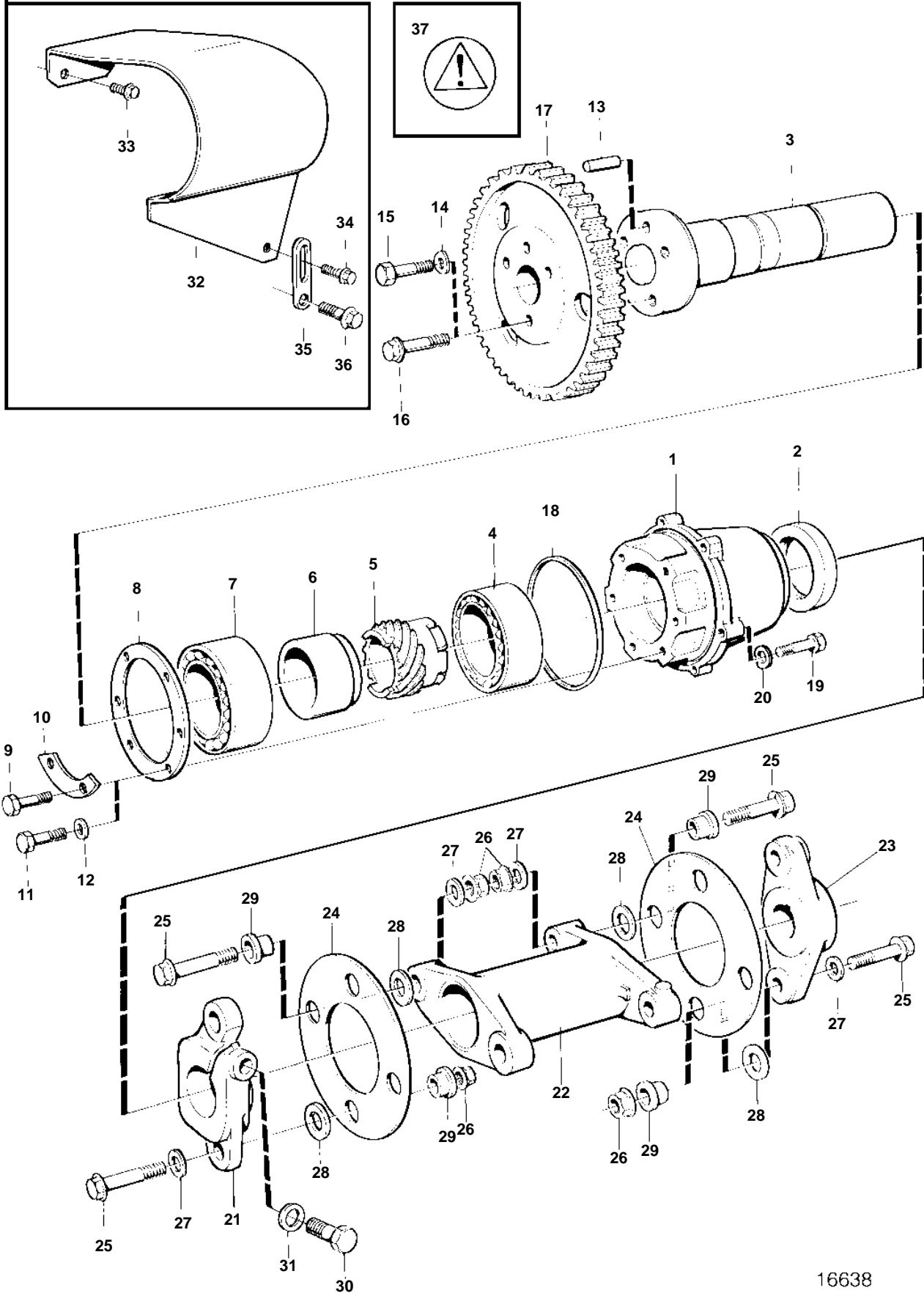


TAMD102A



16638

TAMD102A

REF	PART NO.	QTY	DESCRIPTION	SEE SEC.	NOTES
1	469210	1	Bearing housing		SN-XXXXXXXXXX/241412
	420903	1	Bearing housing		SNXXXXXXXXXX/241413-
2	424580	1	Sealing ring		
3	422073	1	Shaft, 3/8"-UNF		SN-XXXXXXXXXX/241412
	471557		Axle shaft, M10		SNXXXXXXXXXX/241413-
4	11013	1	Ball bearing		
5	469364	1	Gear		
6	469363	1	Stop ring		
7	181577	1	Ball bearing		
8	423074	1	Washer		
9	940100	6	Screw		SN-XXXXXXXXXX/241412
10	421415	3	Lock washer		SN-XXXXXXXXXX/241412
11	955274	6	Screw		SNXXXXXXXXXX/241413-
12	955892	6	Washer		SNXXXXXXXXXX/241413-
13	950586	1	Pin		
14	942336	3	Spring washer		SN-XXXXXXXXXX/241412
15	921642	3	Screw, 3/8"-UNF		SN-XXXXXXXXXX/241412
16	471558	3	Screw, M10		SNXXXXXXXXXX/241413-
17	423079	1	Gear		
			Bulletin 45-01	45-01-EN	Timing Gears, 71, 100, 121
18	423123	1	Sealing ring		
19	955525	5	Screw		SN-XXXXXXXXXX/241412
	940159	5	Screw		SNXXXXXXXXXX/241413-
20	941907	5	Spring washer		
21	471383	1	Companion flange		
22	471367	1	Intermediate section		
23	471312	1	Companion flange		
24	479459	6	Dog clutch disc		
25	946470	8	Flange screw		
26	968862	8	Nut		
27	960141	8	Washer		8,4x22x2mm
28	479460	8	Washer		12x24x2mm
29	478896	8	Sleeve		
30	970878	1	Screw		
31	960148	1	Washer		
32	864864	1	Protecting plate	OP	
33	965175	1	Screw		
34	946544	1	Flange screw		
35	849138	1	Bracket		
36		1	Screwengine bracket		
37	853717	1	Decal		"WARNING". To be placed on the pump companion guard.